



SPECIFICATIONS:

- Power Adjustable size EN 2-4
- Adjustable closing & latching speed
- Maximum door opening angle at 130°
- Mechanical hold-open at 90°
- Maximum door width 1100mm
- Maximum door weight 100kg
- Concealed transom mount
- Spindle sizes - 17mm & 22mm

INCLUDED:

- Transom Closer Body
- Bottom Pivot Standard Duty
- Rear Mounting Bracket
- Front Mount Bracket
- Machine Screw Pack

Side Load Arm & Cover Plate order separately

ORDERING:

SKU#: **TT-8017-HO** (17mm Spindle)

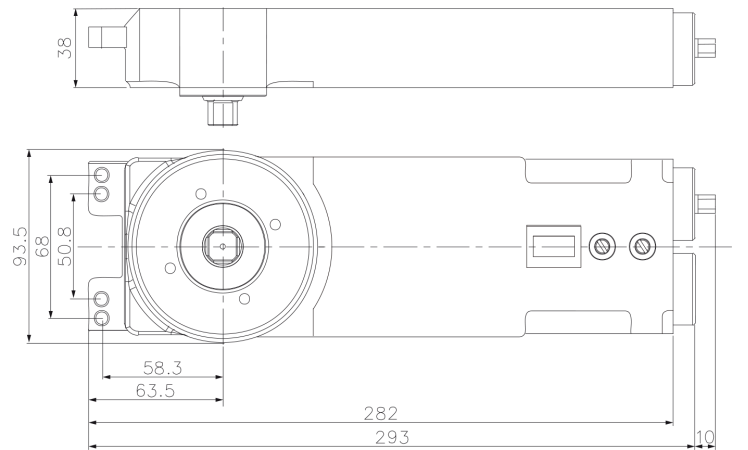
SKU#: **TT-8022-HO** (22mm Spindle)

APPLICATIONS:

- Single & double action doors
- Light to heavy duty doors

Power Size	2	3	4
Max. door width (mm)	900	1000	1100
Max. door weight (kg)	100		

DIMENSIONS



All measurements are in mm

ACCESSORIES:

- Bottom Pivot Standard Duty (Included) - SKU#: **TT-BP100**
- Bottom Pivot Heavy Duty (Max. 150kg) - SKU#: **TT-BP150**
- Side Load Narrow Arm Kit- SKU#: **TT-TAN**
- Side Load Standard Arm Kit - SKU#: **TT-TAS**
- Front Reverse Mounting Bracket - SKU#: **TT-RMB**
- Stainless Steel Cover Plate - SKU#: **TT-CP01-SS**
- Stainless Steel Cover Plate (Radius End) - SKU#: **TT-CP02-SS**

