

### SPECIFICATIONS:

- Power Adjustable size EN 2-5
- Adjustable closing & latching speed
- Adjustable backcheck
- Delayed action
- Thermo-constant valve
- Surface mount
- Track arm
- Single action door / non handed
- Cam Action operation
- Max. door opening 180° (Door mount) & 120° (Transom mount)
- Max. door width 1250mm
- Max. door weight 100kg

### CERTIFICATIONS:

- Fire tested to AS 1530.4:2005 & AS 1530.4:2015
- Cycle tested to EN 1154:1996 (500,000 cycles)

### ORDERING:

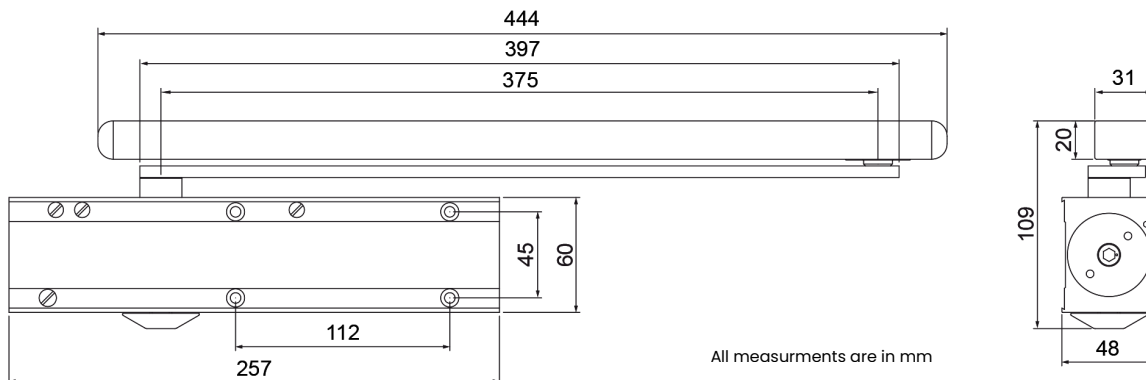
SKU#: **TC-CA25-B-S** (Silver - Pull)

SKU#: **TC-CA25-B-B** (Matte Black - Pull)

SKU#: **TC-CA25-G-S** (Silver - Push)

SKU#: **TC-CA25-G-B** (Matte Black - Push)

### DIMENSIONS



Power Size	2	3	4	5
Max. door width (mm)	850	950	1100	1250
Max. door weight (kg)	40	60	80	100

### Application:

- Door mount B type (Pull) & G type (Push)
- Transom mount B type (Push) & G type (Pull)

### ACCESSORIES:

- Mounting Plate - SKU#: **TC-MP25-S**
- Slide Arm Mounting Bracket - SKU#: **TC-SAB-S**
- Cushion Limit Stay - SKU#: **TC-CLS**
- Hold Open Device - SKU#: **TC-HOD1**

