

SPECIFICATIONS:

- Power Adjustable size EN 2-6
- Adjustable closing & latching speed
- Adjustable backcheck
- Delayed action
- Thermo-constant valve
- Surface mount
- Standard arm
- Single action door / non handed
- Rack & Pinion operation
- Maximum door opening 180°
- Maximum door width 1400mm
- Maximum door weight 120kg

CERTIFICATIONS:

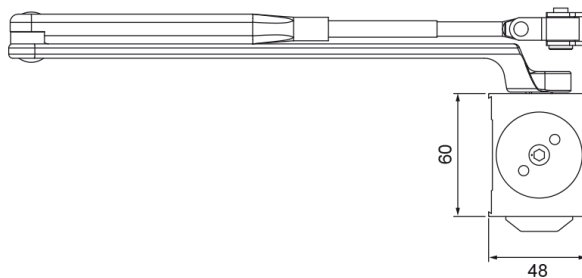
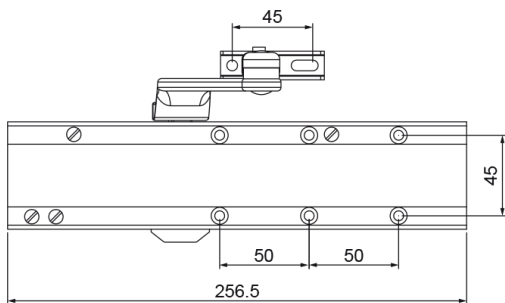
- Fire tested to AS 1530.4:2005 & AS 1530.4:2015
- Cycle tested to EN 1154:1996 (500,000 cycles)

ORDERING:

SKU#: **TC-6026-S** (Silver)

SKU#: **TC-6026-B** (Matte Black)

DIMENSIONS



All measurements are in mm

Power Size	2	3	4	5	6
Max. door width (mm)	850	950	1100	1250	1400
Max. door weight (kg)	40	60	80	100	120

Application:

- Standard door mount on pull side
- Transom mount on push side
- Parallel bracket (Included)

ACCESSORIES:

- Mounting Plate - SKU#: **TC-MP26-S**
- Drop Plate - SKU#: **TC-DP-S**
- Hold Open Arm - SKU#: **TC-HOA26-S**
- Slide Arm Set - SKU#: **TC-SA26**

