



SPECIFICATIONS:

- Power Adjustable size EN 2-4
- Adjustable closing & latching speed
- Adjustable backcheck
- Thermo-constant valve
- Surface mount
- Standard arm
- Single action door / non handed
- Rack & Pinion operation
- Maximum door opening 180°
- Maximum door width 1100mm
- Maximum door weight 80kg

CERTIFICATIONS:

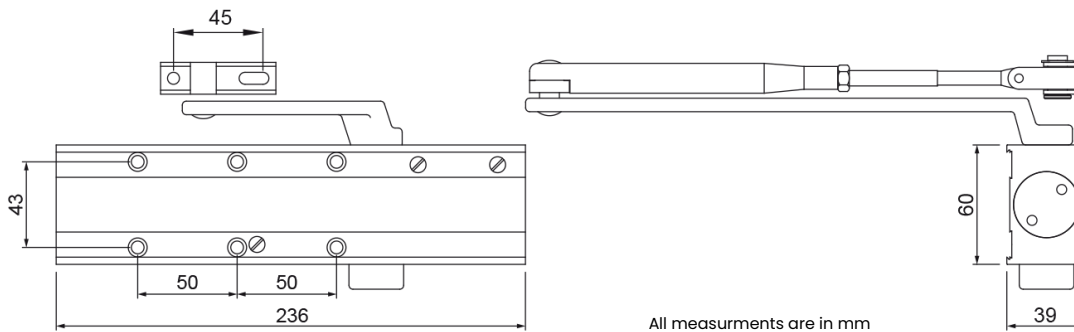
- Fire tested to AS 1530.4:2005 & AS 1530.4:2015
- Cycle tested to EN 1154:1996 (500,000 cycles)

ORDERING:

SKU#: **TC-6024-S** (Silver)

SKU#: **TC-6024-B** (Matte Black)

DIMENSIONS



Power Size	2	3	4
Max. door width (mm)	850	950	1100
Max. door weight (kg)	40	60	80

Application:

- Standard door mount on pull side
- Transom mount on push side
- Parallel bracket (Included)

ACCESSORIES:

- Mounting Plate - SKU#: **TC-MP24-S**
- Drop Plate - SKU#: **TC-DP-S**
- Hold Open Arm - SKU#: **TC-HOA24-S**
- Slide Arm Set - SKU#: **TC-SA24**

